

HAFELE

Keku Fitting system

Connection and functional fittings in furniture construction and interior fitting

Keku Fitting system

- 04 EH Frame component
EHS Frame component
EH Frame component for groove mounting
- 05 EH Panel component
EH Panel component without lip
- 06 Frame component AS
Frame component ASR
Panel component AS
- 07 AD 15 angled component
AD 30 angled component
Panel component EH
- 08 Spacer plate EH
Spacer plate AS
Screws for Keku fittings

Application examples

- 10/11 Wall cladding (continuous construction)
- 12-17 Partition wall
- 18 Panel for technical installations
- 19 Corner connection
- 20/21 Door construction
- 22 Cabinet panel (reversible)
- 23/24 Inspection panels
- 25 Side panel
- 26/27 Ceiling cladding
- 28 Mounting options

Technical data

- 31 EH /EHS Suspension fitting
- 32 AS /ASR Push-in fitting
- 33 AD15 / AD30 Double partition fitting

Keku Fitting system

EH frame component

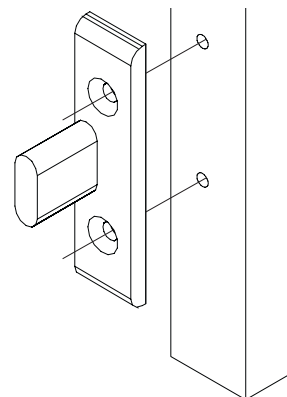
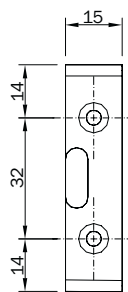
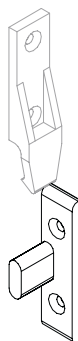
Cat. No.: 262.49.365 (Hospa)

Cat. No.: 262.49.366 (Varianta)

Polycarbonate (PC), black

Packing: 200 pieces

For screw fixing to subframes,
with Hospa chipboard screws 4.0
or Varianta screws



EHS frame component

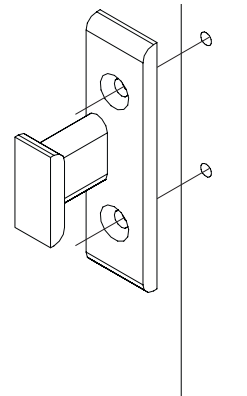
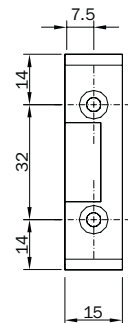
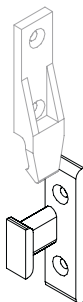
Cat. No.: 262.49.367 (Hospa)

Cat. No.: 262.49.368 (Varianta)

Polycarbonate (PC), black

Packing: 200 pieces

For screw fixing to subframes,
with Hospa chipboard screws 4.0
or Varianta screws



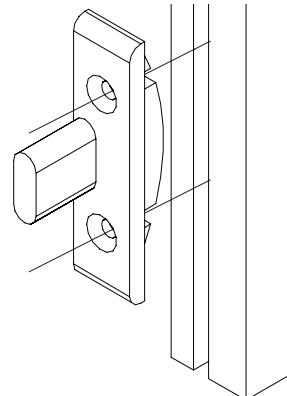
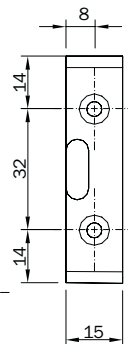
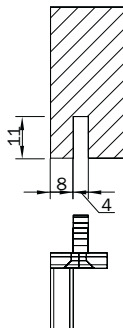
EH frame component for groove mounting

Cat. No.: 262.49.360 (Hospa)

Polycarbonate (PC), black

Packing: 200 pieces

For groove mounting and screw fixing to sub-
frames, with Hospa chipboard screws



EH panel component

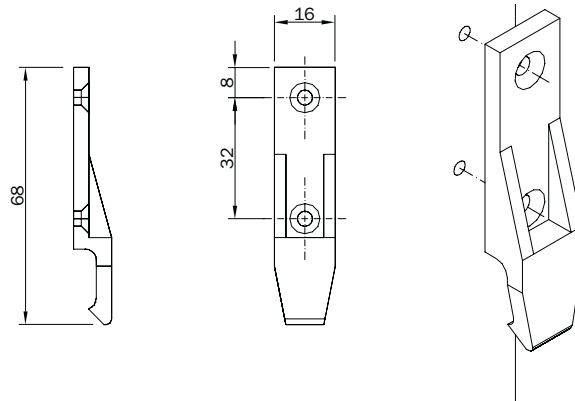
Cat. No.: 262.49.356 (Hospa)

Cat. No.: 262.49.357 (Varianta)

Polycarbonate (PC), black

Packing: 200 pieces

For screw fixing to panels
with Hospa chipboard screws or
Varianta screws



EH panel component without lip

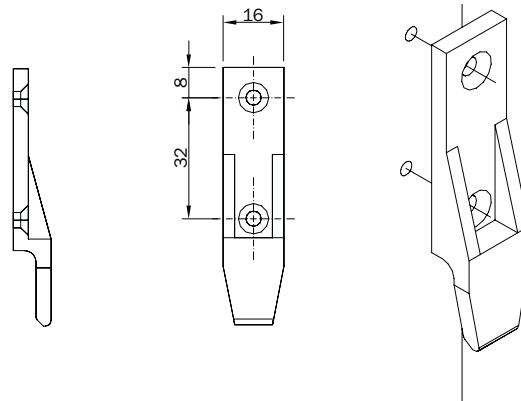
Cat. No.: 262.49.350 (Hospa)

Cat. No.: 262.49.351 (Varianta)

Polycarbonate (PC), black

Packing: 200 pieces

For screw fixing to panels
with Hospa chipboard screws or
Varianta screws

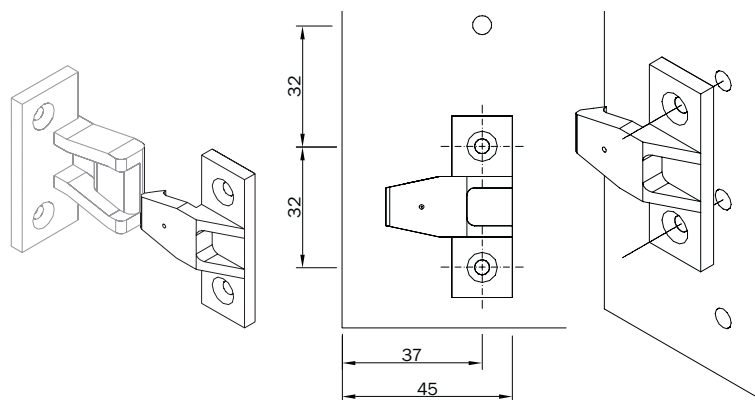


AS frame component

Cat. No.: 262.50.368 (Hospa)
Cat. No.: 262.50.377 (Varianta)

Polycarbonate (PC), black
Packing: 200 pieces

For screw fixing to subframes,
with Hospa chipboard screws 4.0
or Varianta screws

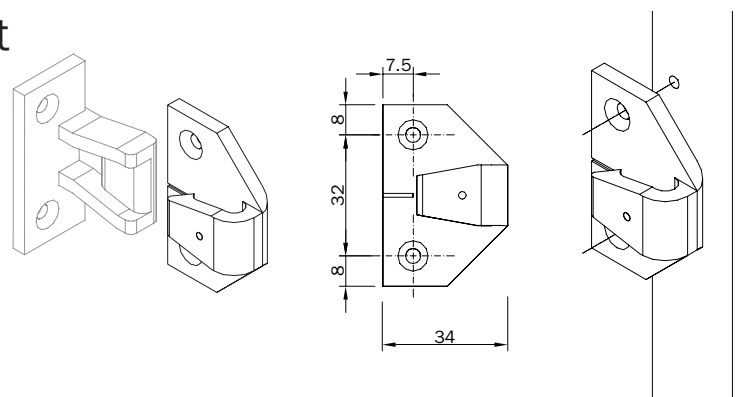


ASR frame component

Cat. No.: 262.50.390 (Hospa)
Cat. No.: 262.50.391 (Varianta)

Polycarbonate (PC), black
Packing: 200 pieces

For screw fixing to subframes,
with Hospa chipboard screws 4.0
or Varianta screws

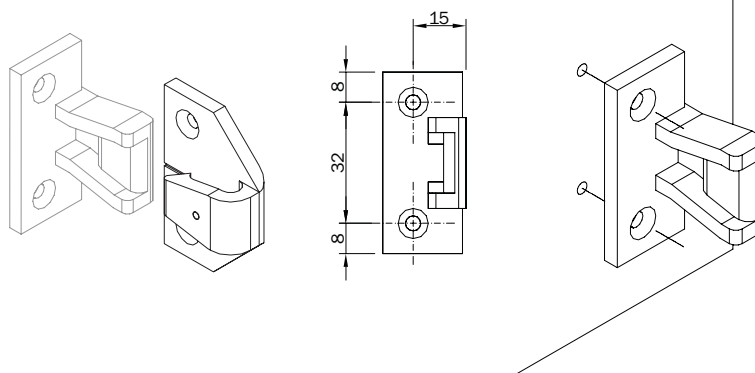


AS panel component

Cat. No.: 262.50.359 (Hospa)
Cat. No.: 262.50.358 (Varianta)

Polycarbonate (PC), black
Packing: 200 pieces

For screw fixing to panels
with Hospa chipboard screws or
Varianta screws



AD 15 angled component

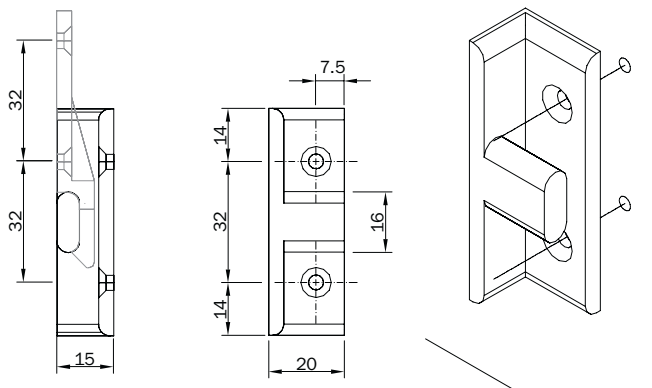
Cat. No.: 262.51.380 (Hospa)

Cat. No.: 262.51.381 (Varianta)

Polycarbonate (PC), black

Packing: 200 pieces

For screw fixing to subframes,
with Hospa chipboard screws 4.0
or Varianta screws



AD 30 angled component

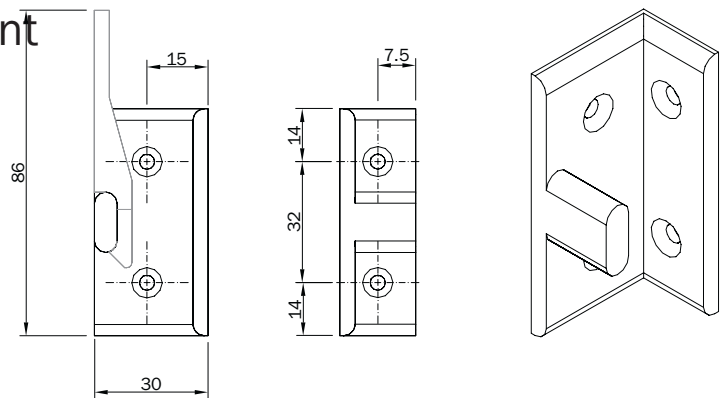
Cat. No.: 262.51.390 (Hospa)

Cat. No.: 262.51.391 (Varianta)

Polycarbonate (PC), black

Packing: 200 pieces

For screw fixing to subframes,
with Hospa chipboard screws 4.0
or Varianta screws



EH panel component

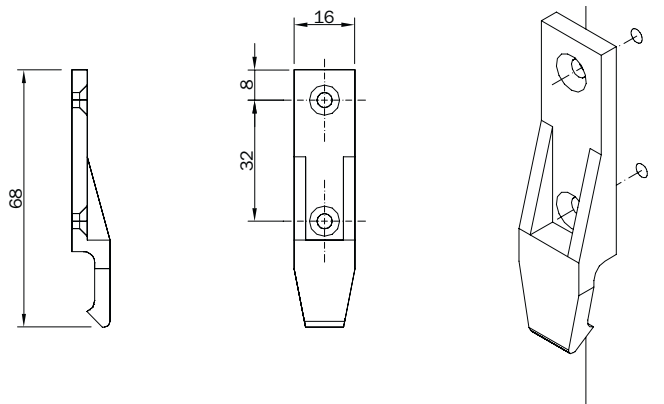
Cat. No.: 262.49.356 (Hospa)

Cat. No.: 262.49.357 (Varianta)

Polycarbonate (PC), black

Packing: 200 pieces

For screw fixing to panels
with Hospa chipboard screws or
Varianta screws



EH spacer plate

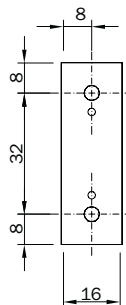
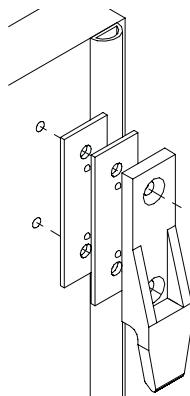
Cat. No.: 262.49.353 (Hospa)

Cat. No.: 262.49.355 (Varianta)

Polycarbonate (PC), black

Packing: 200 pieces

1.5 mm, stackable, self-fixing,
installation with Hospa chipboard
screws 4.0 or Varianta screws



AS spacer plate

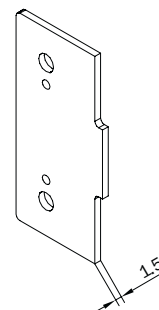
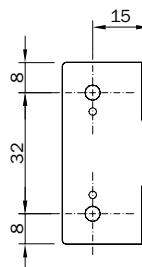
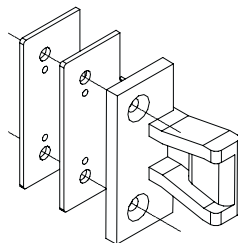
Cat. No.: 262.50.352 (Hospa)

Cat. No.: 262.50.354 (Varianta)

Polycarbonate (PC), black

Packing: 200 pieces

1.5 mm, stackable, self-fixing,
installation with Hospa chipboard
screws 4.0 or Varianta screws



Screws for Keku fittings

Chipboard screw 4x17 Hospa

Cat. No.: 019.00.115

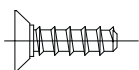
For 3 mm drill holes



Varianta Special screw 13.5mm

Cat. No.: 013.15.626

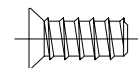
For 3 mm drill holes



Varianta Special screw 13.5mm

Cat. No.: 013.15.724

For 5 mm drill holes

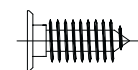


Varianta Special screw 5.5x13.9 mm

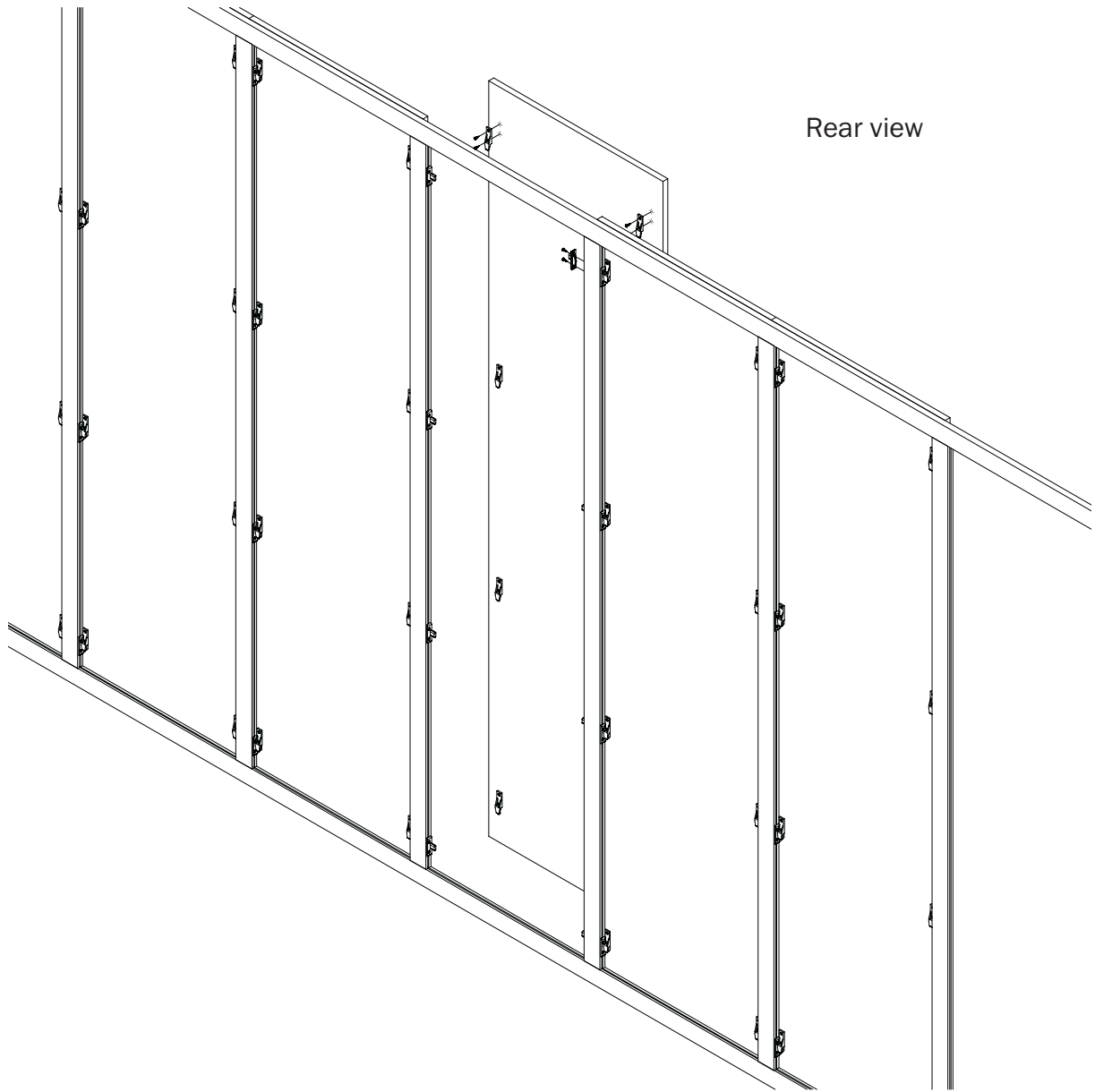
For honeycomb panels

Cat. No.: 013.30.900

For 3 mm drill holes

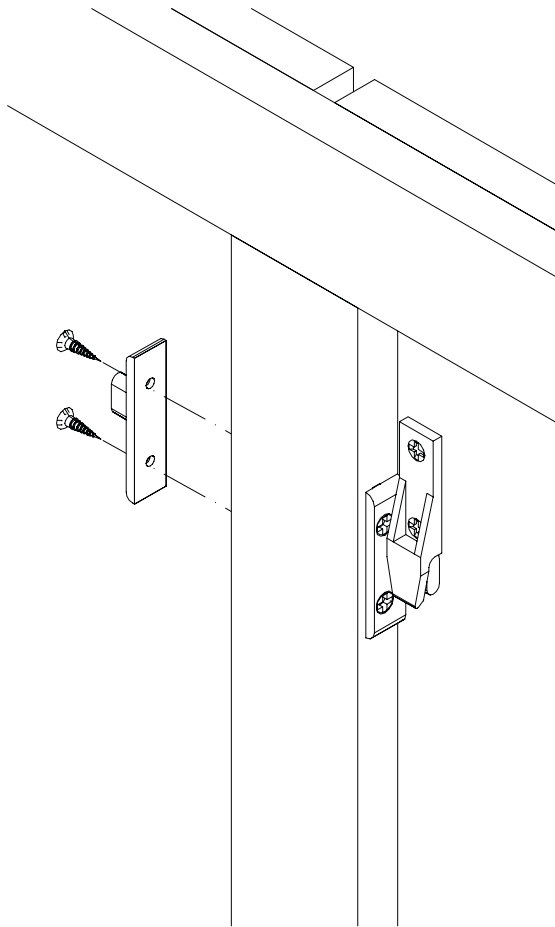


Application examples

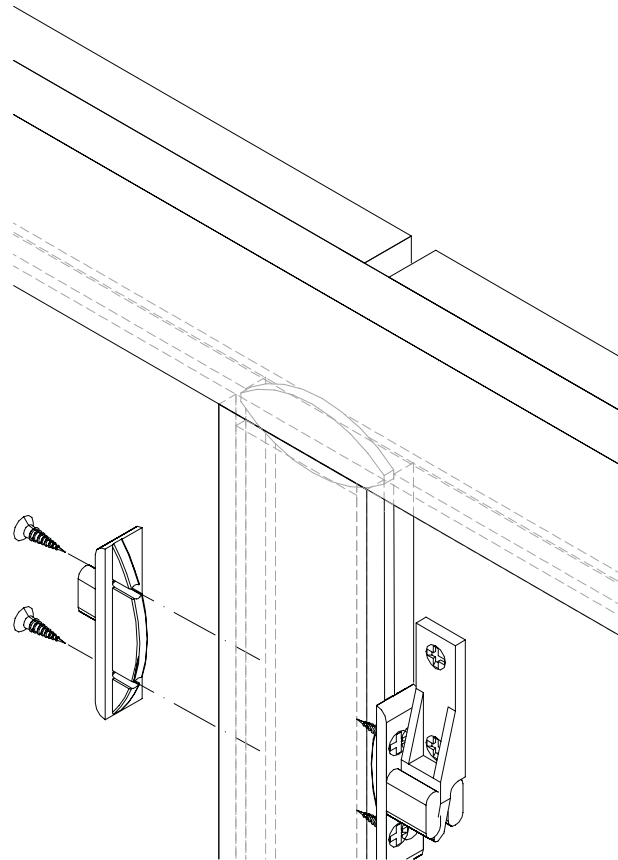


Rear view

10 Wall cladding (continuous construction)



Detail 1:
With **Keku EH**



Detail 2:
With **Keku EH** groove mounting

